

# SHOOTING STAR LED DIGITAL STAR LIGHTING

twilight  
FIBER OPTIC SKY SYSTEM



**YOU COMMAND THE NIGHT!**

Epic Sky's Shooting Star Kit creates exciting night sky effects with Epic Sky's innovative digital star LED technology. **Eye dazzling shooting star effects** are sure to amaze.

Available in white light or full color models with an optional RS232 controller for unlimited control.



## INSTALLATION IS SIMPLE AND EASY!

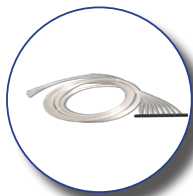
- 1 Position template to your chosen surface and drill the shooting star pattern.
- 2 Insert the fibers into the holes and glue into place.
- 3 Screw the pre-made fiber head into the Shooting Star module then turn it ON!

You can trim the fibers flush after your final coat of paint. Intervals of your desired effect can be adjusted through DIP switches on the back of the Shooting Star module.

### KIT INCLUDES:



STAR KIT MODULE



8 FT. FIBER OPTIC TAIL



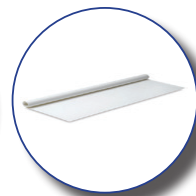
12 VOLT POWER SUPPLY



DRILL BITS (12 PK)  
(DREMEL® RECOMMENDED)  
OPTIONAL



FIBER GLUE  
OPTIONAL



2FT. X 2FT. TEMPLATE  
(SPECIFIED KITS ONLY)  
AVAILABLE ONLINE

Epic Sky Technology  
A Division of Impact Lighting Inc.

3100 Pennington Road, Orlando, Florida 32804 • Phone: 1.800.507.5714 • Email: sales@epiXsky.com  
[epiXsky.com](http://epiXsky.com)

REV: 03-20



STAR KIT MODULE



8' FIBER OPTIC STRANDS  
Add another interface to daisy chain fibers and expand coverage area.



DRILL BITS (12 PK)  
(Dremel® recommended)  
OPTIONAL



12 VOLT  
POWER SUPPLY



FIBER GLUE  
OPTIONAL



TEMPLATE\*  
(AVAILABLE ONLINE)

**KEY FEATURES:**

- 12 VDC Power Supply
- 150 Fiber Stars w/ 8ft. long fibers
- Up to 8ft. Shooting Star Effect
- 10 seconds, 1, 5, 10 Minute & Random Intervals
- 6 colors & 1 Rainbow (RGB MODEL ONLY)
- RS232 Serial Controllable (Sold Separately)
- Remote Momentary Switch Ready (Switch Sold Separately)
- Stand Alone Mode – Dip Switch Program
- Optional WiFi w/ Phone/Tablet App. Control

**BENEFITS:**

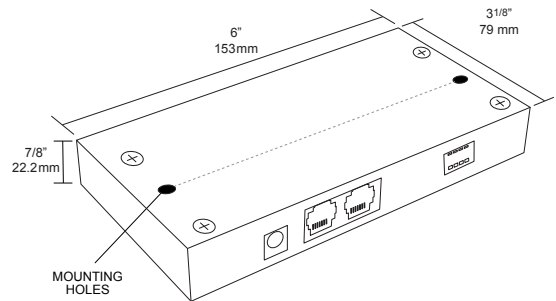
- Digital Electronics
- Compact Design
- Quiet Operation (no fan)
- No Moving Parts!
- Long Life LED's
- Low Wattage



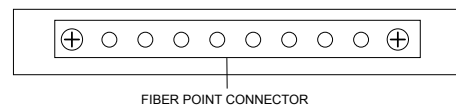
**ORDERING**

MODEL	COLOR	OPTIONS	ACCESSORIES	* SHOOTING STAR
TL-SSK				
White Light Star Kit 150 Fiber Stars 8ft. Fiber Cable 10 Programs 12 Volt Power Supply	WH - White Light RGB - RGB Light	DB - Drill Bits (12 pack) FG - Fiber Glue	ADV - RS232 Controller EWF - WiFi Interface RMS - Remote Momentary Switch	

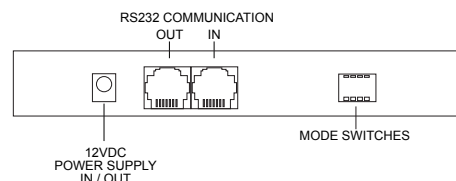
**TECHNICAL INFO:**



**FRONT**



**BACK**



V. 320 | Copyright © 2020, Impact Lighting Inc. All Rights Reserved