



XTRU-4845
Commercial Series

High quality double-anodized aluminum dual LED lighted stair profile with anti slip surface. (Resistant to high intensity pedestrian traffic)

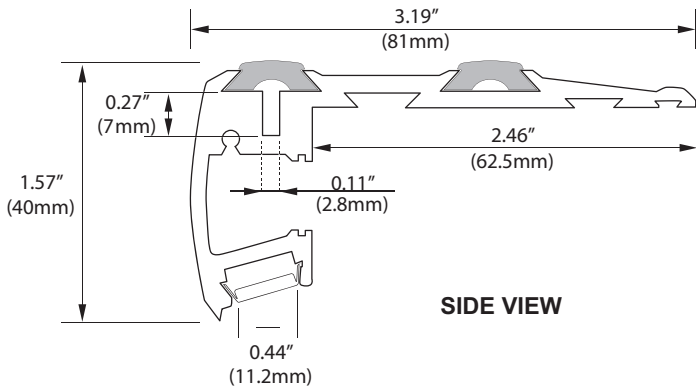
Impact Lighting's **XTRU-4845 Commercial Series** Step Lighting is an aluminum stair housing profile with LED tread and riser illumination with single or RGB color options. Perfect for high traffic and designer applications such as lighting in cinemas, shops, nightclubs and restaurants, this profile offers superb durability and style. Comes in either black or aluminum finishes.

KEY FEATURES

- Fixed to the finished edge of a step with screws or adhesive (not included)
- Can be installed on carpeted steps
- Anti-Slip Surface
- Custom cut to Length (max 2m / 78.75in)
- Tread light and Riser light options

SPECIFICATIONS

Material: Anodized aluminum
Cover: Frosted, clear
Standard Length: 1m, 2m (39.4"; 78.75")
Mounting: Screws, adhesive
Ending Element: Plastic end caps (accessories)
Certificate: CE



Lead wire location can be specified as right or left facing (Right Facing Shown)

ORDERING

Example:

XTRU-4845-24" - AL-FR-WW-RGB-R-L

XTRU-4845 Profile, 24" Cut Length, Anodized Aluminum Finish, Frosted Cover Color, Warm White Tread w/ Warm White Riser LED, Right Facing Lead Wire with Left Facing End cap

MODEL	CUT LENGTH	HOUSING FINISH	COVER COLOR	TREAD LED OUTPUT	RISER LED COLOR	LEAD WIRE LOCATION	END CAP
XTRU-4845	<input type="text"/>	<input type="text"/>	<input type="text"/>	<input type="text"/>	<input type="text"/>	<input type="text"/>	<input type="text"/>
Aluminum Dual LED Lighted Stair Profile	Write desired length above (0.15m - 2.0m) (6" - 78.75")	AL - Anodized Aluminum BLK - Anodized Black	FR - Frosted CL - Clear	WH - Warm White CW - Cool White	WW - Warm White CW - Cool White RGB - Red Green Blue	R - Right Facing L - Left Facing B - Left & Right* (daisy chain)	N - None R - Right Facing L - Left Facing B - Both Sides
						(write desired length above)	

X-LUME

A DIVISION OF IMPACT LIGHTING INC.

2101 West Central Blvd. Orlando, Florida 32805 USA • Phone: 1.800.507.5714 • Email: sales@impactlightinginc.com

www.xlumeled.com