



Surface Mount Installation Manual



CONGRATULATIONS FOR PURCHASING EPIC SKY TECHNOLOGY STAR PANEL™. WELCOME TO THE WORLD OF FIBER OPTIC STAR LIGHTS.

Your package should include the following:

- Acoustical fiber optic panels
- Mounting anchors
- Low voltage jumper cables
- Lead wire(s)
- Hex tools – poker tool
- Anchors template
- 12V power supply
- Cove lighting spacers (optional—not always used. Spacers are used with the Thin-glow LED system.)*

** Some installers use spacers for standard installation requiring more room for wires.*

Note: Sometimes there will be more than one lead wire and sometimes the wire(s) will already be attached to the power supply.

POWER SPECIFICATIONS:

Each panel draws 12V and 2.5W, or 0.2 amps max.

Note: Some panels will come with a shooting star, which contain two (2) Epic Sky Technology Star Panel Board light sources and will increase the panel another 2.5W, for a total of 5W.

TIP: Put latex gloves on to keep panels clean when handling.

INSTALLATION (with 2 people using a stepladder):

Square up the room. A room may look square, but it doesn't mean that it is square. Measure twice since all the panels are aligned off of the first panel. It's alignment in the room is critical. Being just a little out of square with the first panel could result in being way out of square when you get to the end of the room. Take your time squaring up the first panel. Using masking tape, pencil marks, and chalk lines will assist you in keeping the installation square and true. Locate where your first panel will be installed.

RUNNING THE POWER:

Based on site conditions and project design, there will generally be two options for power. The recommended way is to use a Remote Driver and pre-install a Epic Sky Technology Star Panel Leader Cable, or pre-wire an 18 AWG wire.

TIP: After you finish running the power, after lead wires run, test every panel before it goes up, by plugging lead wire to the LED board, located in the center of the panel.

REMOTE DRIVER

The power supply has connectors for a power cable for the input of the line voltage. The selected outlet for powering the Driver should be controlled from a remote switch, or control system. *(Not for controllable stars, these need constant power)* Locate the Driver in a proper equipment area that is accessible and within 50 feet of the first Epic Sky Technology Star ceiling panel (generally in the center of the ceiling.) At this point, connect the Epic Sky Technology Star Panel Leader Cable and start daisy chaining the panels together, using the supplied Jumper Cables. Your leader cable should not be longer than 50 feet. Consult with a Epic Sky Technology Star Panel manufacturer if a longer leader cable is required.

MOUNTING THE FIRST PANEL

TIP: You can use a paint brush extension (available at most hardware stores) to hold the panel in place.

Place the first panel on the ceiling and square in its proper orientation. (This should be performed by at least two people) Push the awl (poker tool) through the center of the round stickers to make an indent in the ceiling. This is done from the finished fabric side of the panel. Once all mounting points are marked on the ceiling, remove the panel. You may use our templates to guide you, please see page 5.

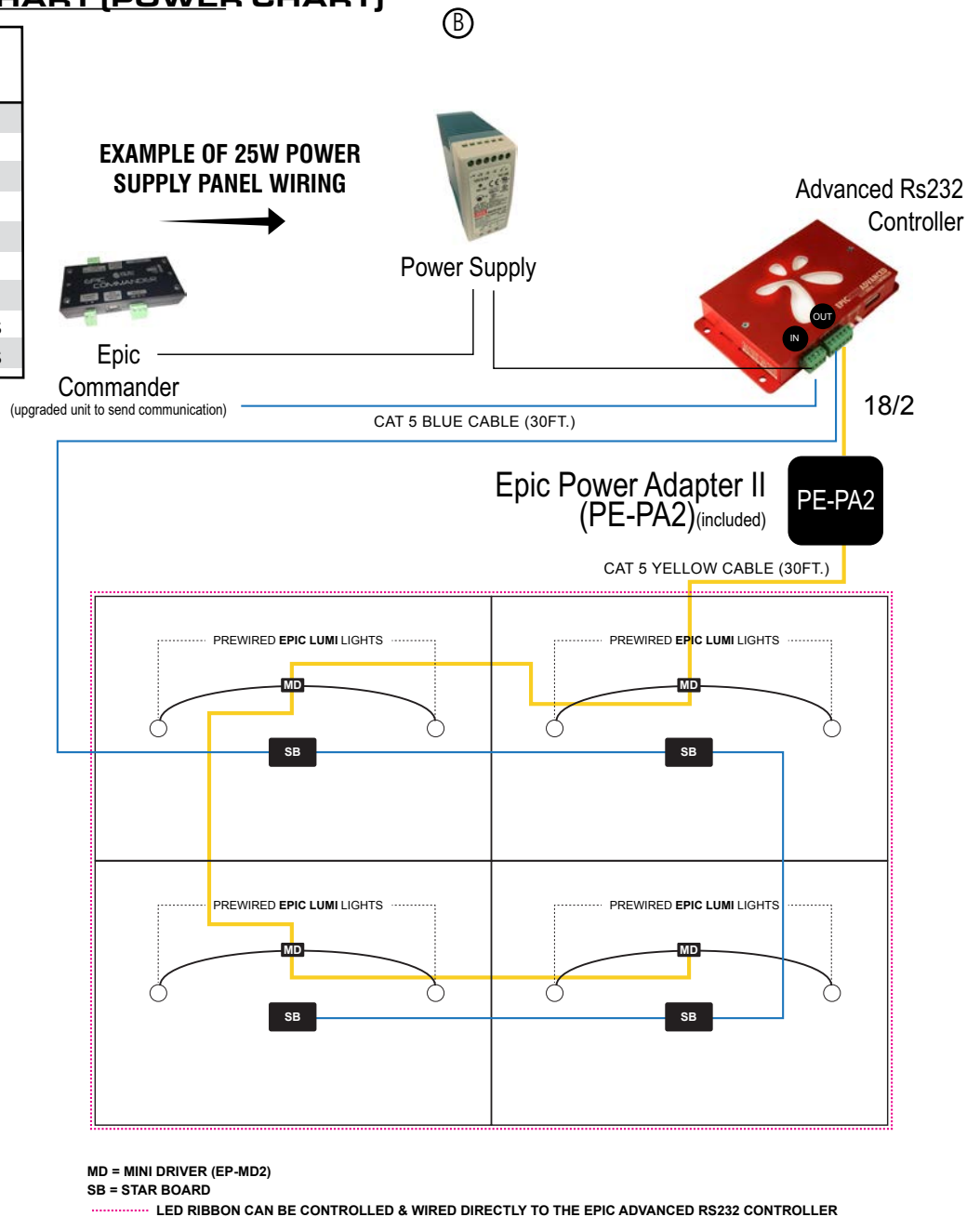
TIP: While installing the panels, keep the plastic covers of the un-installed panels on so dust doesn't get on them (especially in construction areas.)

See Chart A and Chart B

STANDARD PANEL CHART (POWER CHART)

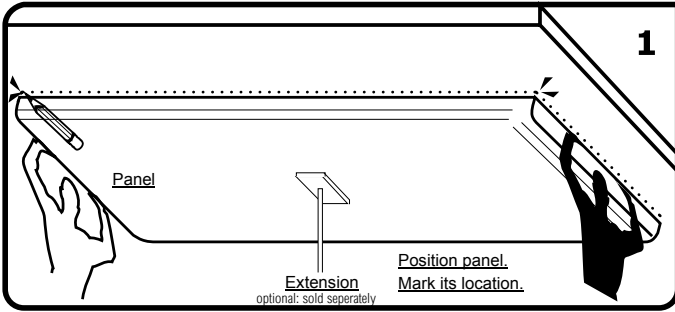
POWER SUPPLY	NO. OF PANELS
25W	10 panels
45W	18 panels
60W	24 panels
80W	32 panels
100W	40 panels
150W	60 panels
200 W	80 panels
250W	100 panels
300W	120 panels

*If you have more than 120 panels, please contact us for assistance.

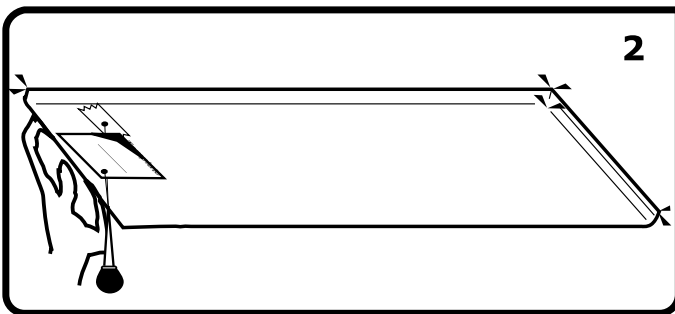


INSTALLATION STEPS:

Step 1. Position panel. Mark its location.



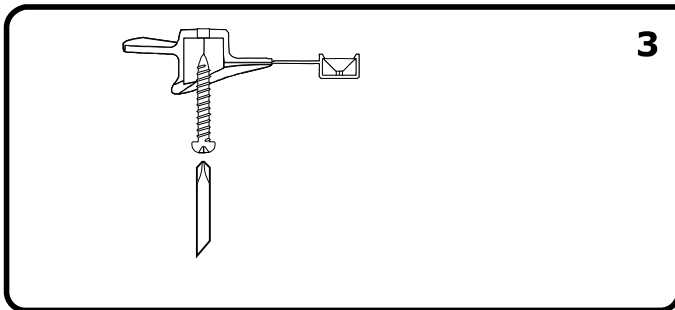
Step 2. Put masking tape on panel face at anchor locations (optional). Position template: push scratch awl (poker tool) through panel at template marking hole. Indent wallboard behind panel. NOTE: To mark Harder wall material, i.e. concrete block, after marking the panel with the scratch awl, put a common nail in the hole and tap with it.



For more details on marking the Star Panel please view page.7

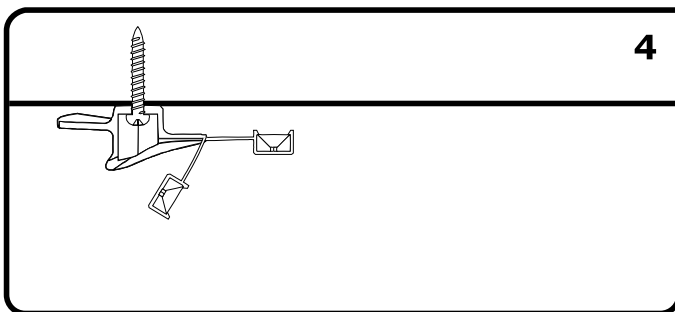
After Step 2, remove panel

Step 3. Screw Epic Sky Technology panel anchors to wall at pre-marked locations. (Consult manufacturer for recommended fasteners to use with anchors. Note: do not over-tighten. Anchors should be hand tight and able to turn on screw shaft.



Step 4. Push hex insert firmly into anchor body.

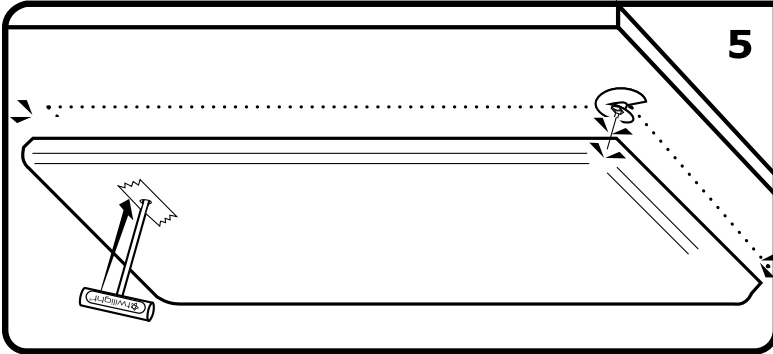
4.1 Push pointed hex driver through panel to engage Epic Sky Technology Star Panel anchors.



You can view installation video using anchors at the following address:
http://www.epicskytech.com/INSTALL_GALLERY.html

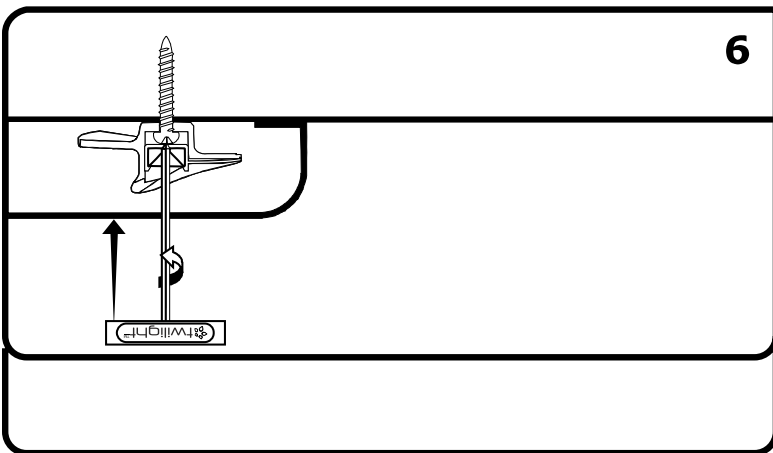
Step 5. Re-position panel. Connect the lead wire to the LED board of the first panel

Note: fully engage hex driver with metal insert before turning.



Step 6. Turn Feature Presentations Star panel anchors counter-clockwise (left) while pushing panel towards wall. Remove masking tape. Lightly rub fabric to hide hole locations.

Note: 1 to 2 turns, do not over-tighten.



Note: Our panel anchors have been tested to have a pullout strength exceeding 45 lb. in standard 6 lb./Ft. 3 fiberglass insulation board.

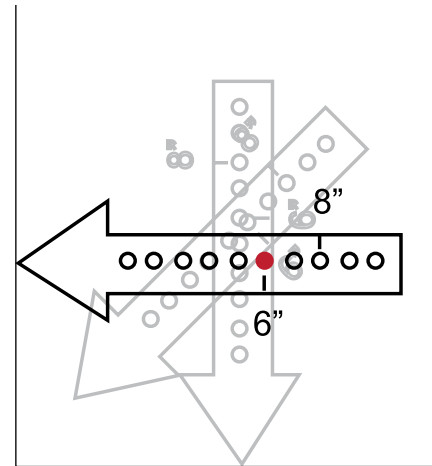
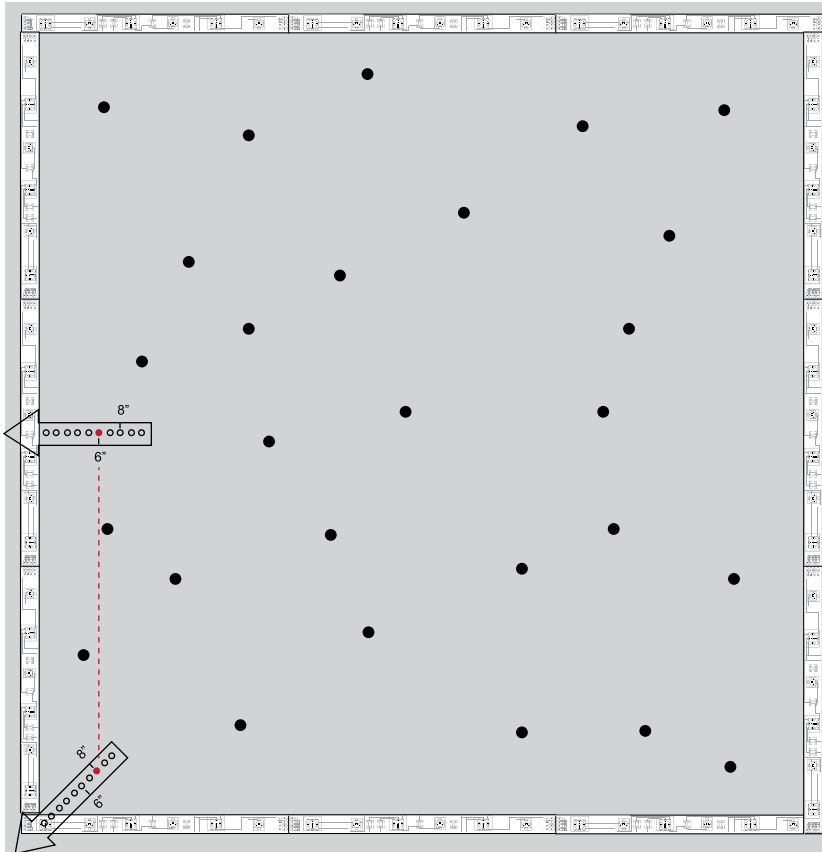
INSTALLING ADDITIONAL PANELS

Leave the jumper hanging off the side of the first panel so you can connect the next panel. Because of the flat design of the Jumper Cable plugs, you can “sandwich” the Jumper Cables between the ceiling and panel, or run them along the 2” light cove on the back of all Surface Mount Panels. You may find that using white gaffers tape, glue dots, or double sided tape helpful in organizing the Jumper Cables during installation.

Up to 12 Epic Sky Technology Star Panels can be connected together in any configuration per lead wire. If your installation requires more than 12 Epic Sky Technology Star Panels, then add an additional Leader Cable. The total quantity of panel depends on power supply size.

NOTE: See Power Chart on Page 3 for power supply recommendation. Multiple lead wires may be necessary with one power supply (not included in package).

STAR PANEL 8 IN & 6 IN ANCHOR TEMPLATE



MAY BE USED AS A PROTRACTOR ON PANEL.
**IF THERE IS A FIBER OR OBSTRUCTION YOU
MAY GO AROUND IT AND SCREW IN ANCHOR.
USE YOUR JUDGEMENT.**

**Note: Some install anchors at 4 inches away,
please use your discretion.**

STEP 1

- A) Place anchor template on any corner of the Star Panel and mark the area at 8 inch for anchor installation
- B) Place anchor template on any side of the Star Panel and mark the area at 6 inch for anchor installation

STEP 2

Poke a hole with the Poker tool on the marked areas.

STEP 3

Fasten the anchor to the ceiling; use a hex tool to turn anchor to adhere the star panel to the ceiling.

* Used also for marking speaker and downlight light areas on the Star Panel.

IF USING CUT-OUT TEMPLATE (NOT INCLUDED IN STAR CEILING SYSTEM)



This template is a universal marking guide and cut-out stencil used for marking the center of a down-light, vent, speaker, or any hole that needs to be marked and cut in a Epic Sky Technology Star Panel.

Secure the large thumbtack in the center of the Cut-out Template using double-sided tape. Then use double sided tape or thumbtacks to hold the template centered on the ceiling over the opening or area you need to cut out. Properly align the panel and push it up into the thumbtack(s) (Thumbtacks do not come in the package.)

Take the panel down, note the location of the thumbtack mark on the back of the panel.

Mark the location of the hole on the fabric face of the panel. Now flip the panel over so it is fabric side up. Place the template centered over the hole and insert the awl. Now you have the template so that it rotates around the awl.

Note: The circumference of the hole that is required (this hole should be slightly larger than what is required for the fixture opening, but smaller than the fixtures trim ring.) Place the hot knife in the appropriate slot on the template, and slowly rotate the hot knife and template all the way around the cut and cinch the fabric. Remove the awl and template, peel off the fabric circle and use the serrated knife to cut the two inches of insulation. Your perfectly located hole is done.

COMMAND SHEET

Epic Sky Technology - LED Star Board (9600 8 N 1)

All commands must be terminated by a carriage return.

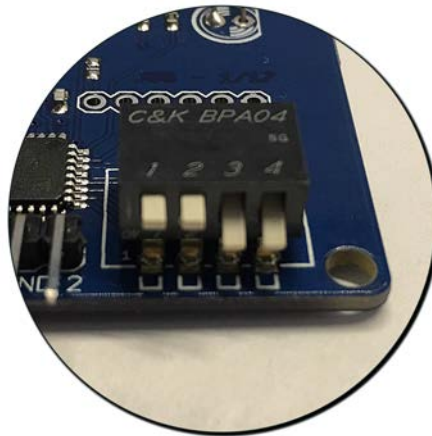
Commands are repeated out the serial port to pass to the next controller or device.

The *E symbol means that those command values are stored in EEPROM and will load on power up

Command	Action	Notes
ess	Scintillation	Scintillation Sparkle Mode
es1	Sparkle	Stars sparkle
es2	Sparkle Fast	Stars Sparkle Fast
es3	Sparkle Really Fast	Stars Sparkle Really Fast
esr	Rain Shower	Stars in Rain Shower mode
est	Party Mode	Stars all on with strobe/fade out pattern
esldxxx	*E Stars on Solid	xxx is the level, 1 - 255, 255 is the brightest
ecn	Constellation On Solid	All LED's on solid - separate than star commands
ecs	Constellation Sparkle	Constellations sparkle
eco	Constellation Off	Only Constellations turn off
eclvxxx	*E Constellation Solid Level	xxx is the level, 1 - 255, 255 is the brightest
!	Trigger Shooting Star	Immediately trigger shooting star
ssq	Shooting Star 10 Seconds	Shooting Star every 10 seconds, Adjustable via RS-232
ss1	Shooting Star 1 Minute	Shooting Star every minute
ss2	Shooting Star 2 Minutes	Shooting Star every 2 minutes
ss5	Shooting Star 5 Minutes	Shooting Star every 5 minutes
ssz	Shooting Star 10 Minutes	Shooting Star every 10 minutes
sso	Shooting Star Off	Boards in shooting star mode will turn off
ssg	Shooting Star On	Shooting star on
mso	Meteor Shower On	Meteor Shower mode (DIP switches must be set correctly) Default rate is every 2 minutes
msf	Meteor Shower Off	Stops the meteor shower
ssd	Power on Setting	Return to Power on DIP Switch Setting
esdmxxx	*E Dim Setting (stars only)	Brightness level of stars, 1 to 255, Default is 255 (brightest)
espkxxx	*E Star Sparkle Speed	Sparkle Speed, 0 - 255, default is 17, the higher the number, the slower the sparkle
mtspxxx	*E Meteor Shower Speed	xxx is the The Speed of the Meteors in the Shower, 0 - 255, Default is 50 (higher is slower)
mttmxxx	*E Time Between Meteors	Time in 1/10's of a second between each meteor in the shower (0-255) default is 7
mtinxxx	*E Meteor Shower Interval	Time in seconds between meteor showers (0-255) default is 120
mtnmxxx	*E Meteor Number	Number of meteors per shower (1-255) default is 19
ssspxxx	*E Shooting Star Speed	xxx = 0 (fastest) to 254 (slowest), default is 40
sstmxxx	*E Shooting Star Interval	Interval Between Shooting Stars in seconds, 0 - 255, Default is 10
eso	Stars Off	All Stars Off
esn	Stars On	Turns on the stars in the last mode they were in
globalloff	All Off	All Stars off, regardless of mode
NOTE	The Epic Star Boards will read the DIP switch setting on power up, check that the boards are in the right mode before installing in a ceiling.	

EPIC STARS DIP SWITCH SETTINGS

The EPIC STAR BOARD model allows a variety of effects including Star Effects (sparkle, scintillation, rain, strobe,etc.) and special effects (shooting star, meteor shower). The Dip Switch sets the program (Shooting star 10 Min setting is shown in picture):



Mode	Switch 1	Switch 2	Switch 3	Switch 4
Scintillation	Up	Up	Up	Up
All on 50%	Down	Up	Up	Up
All On 25%	Up	Down	Up	Up
Meteor Shower	Down	Down	Up	Up
Sparkle	Up	Up	Down	Up
Sparkle Fast	Down	Up	Down	Up
Sparkle Really Fast	Up	Down	Down	Up
Constellation Mode	Down	Down	Down	Up
Shooting Star 10 Sec	Up	Up	Up	Down
Shooting Star 1 Min	Down	Up	Up	Down
Shooting Star 2 Min	Up	Down	Up	Down
Shooting Star 5 Min	Down	Down	Up	Down
Shooting Star 10 Min	Up	Up	Down	Down
Rain Mode	Down	Up	Down	Down
Party (Strobe) mode	Up	Down	Down	Down
All on 100%	Down	Down	Down	Down
NOTE	The Epic Star Boards will read the DIP switch setting on power up, check that the boards are in the right mode before installing in a ceiling.			

Note: All commands need to be followed by a carriage return (r) and not a new line.