



EPIC MELODY

**KEY FEATURES:**

- 12VDC power supply
- RS-232 controlled playback of select music tracks
- RGB output for accent lighting
- A 'Lightening Channel' for thunderstorm effects
- 1/8" Stereo Connector line level output (industry standard connection)
- Speaker level output for driving small speakers
- Standard MicroSD card file storage
- Serial feedback
- Fully controllable with any automation system

**BENEFITS:**

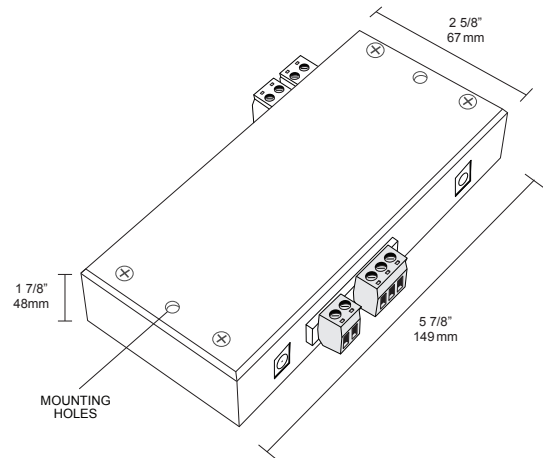
- Pre-addressed for different varieties of ambiance
  - a) Rain
  - b) Summer Forrest
  - c) Beach Waves
  - d) Thunderstorm
- Built in single channel LED controller for lightning effect to match the thunderstorm soundtrack. (For use with Epic Star Panels)
- RS-232 controlled



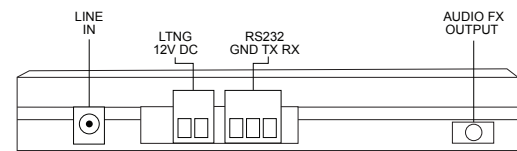
The EPIC MELODY is a state of the art module that triggers sound effects that synchronize your lighting with pre-programmed sound effects. Thunder, lightning, rain, beach waves, fireworks and more.

PERFECT COMPANION TO EPIC SKY's TWILIGHT STAR PANELS.

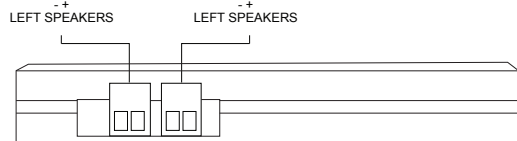
The EPIC MELODY can perform in standalone mode, or with a RS232 protocol which can be controlled by a third party control system or by the Epic's proprietary wall control touch pad to produce sound effects on demand.



**FRONT**



**BACK**



**ORDERING**

**MODEL**

**EPIC-Melody**

EPIC Melody Controller

**CAN BE USED IN CONJUNCTION WITH:**

- Advanced RS232 Controller
- WiFi Interface
- IR Receiver
- EPIC Symphony
- Remote Momentary Switch

**Epic Sky Technology**

A Division of Impact Lighting, Inc.

2101 West Central Blvd. Orlando, Florida 32805 USA • Phone: 1.800.507.5714 • Email: sales@epicskytech.com

[www.epicskytech.com](http://www.epicskytech.com)