

# EPIC'S EP-DMX-W-2201 WHITE ONLY CONTROLLER

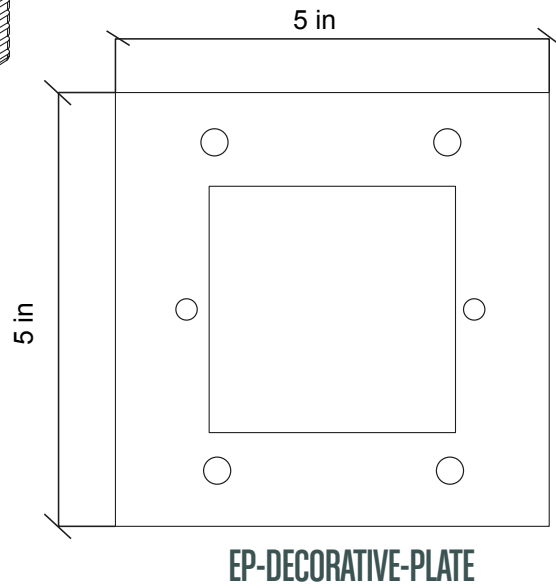
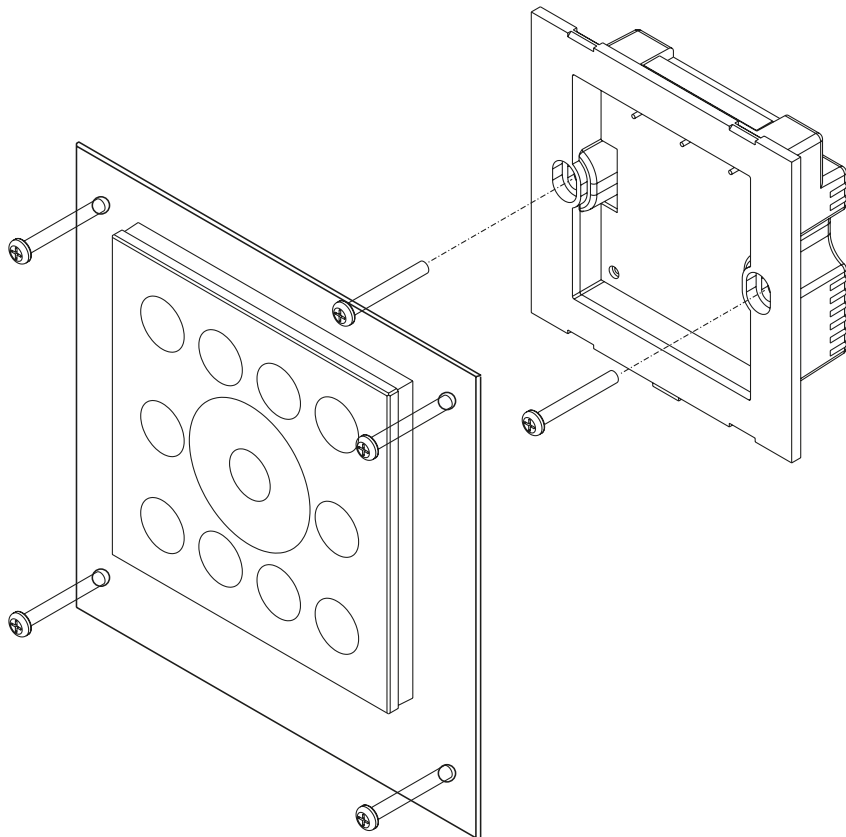
EP-DMX-W-2201 DMX512 Master touch panel (For Full white color) is DMX signal output to connect DMX decoders. It is of high sensitive glass touch panel, and any finishing color could be customized. This DMX512 Master touch panel suit for full white color LED lightings for home club bar office public places etc.

## SPECIFICATIONS

Input voltage: 12-24V DC

Output: DMX512 signal

Size: 3.38in x 3.38in x 1.37in



Specifier's Reference
Project
Type
Model No.
Comments or Special Instructions

## Ordering Information

### PRODUCT

EP-DMX-W-2201

EP-DECORATIVE-PLATE

