

EPIC'S EP-DMX-RGB-2811 DMX CONTROLLER

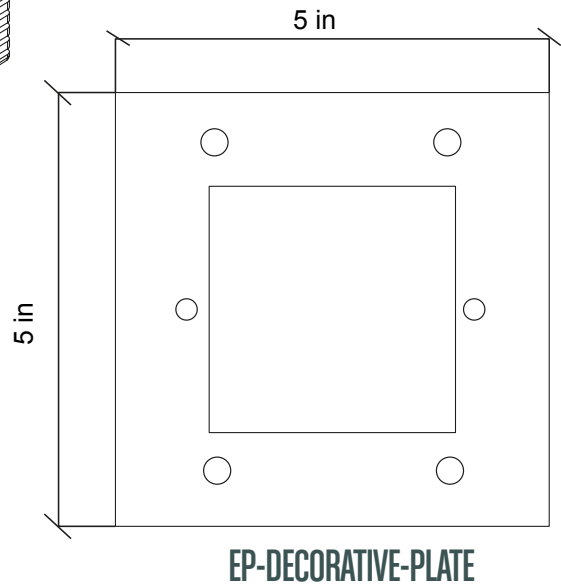
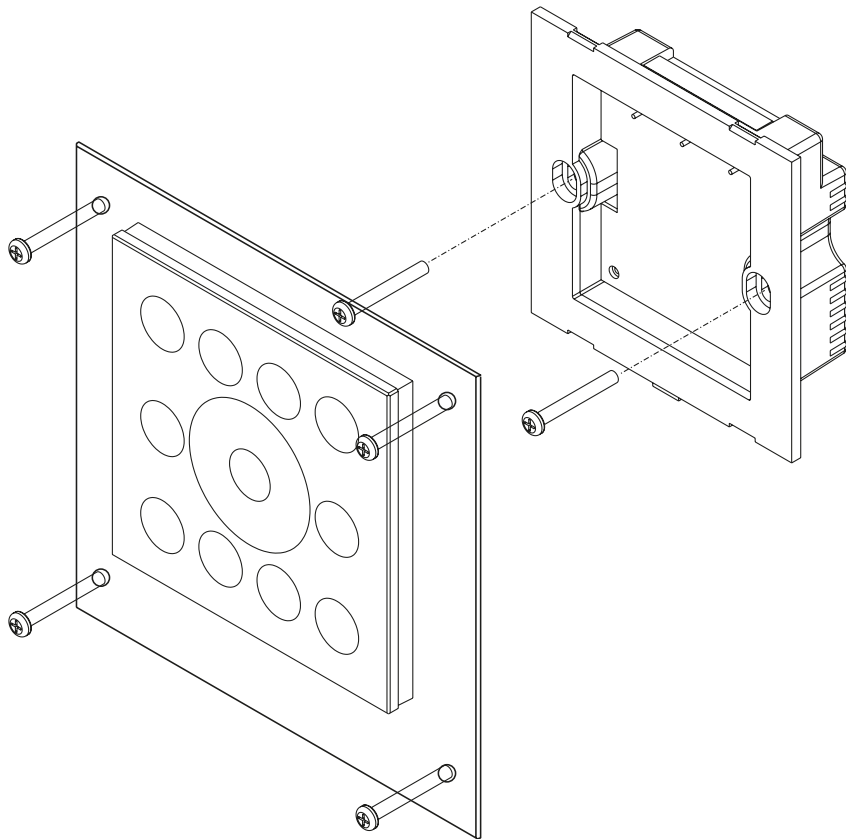
EP-DMX-RGB-2811 DMX full touch panel wall switch is DMX signal output to connect DMX decoders. It is of high sensitive glass touch panel, and any finishing color could be customized. This wall switch suit for any RGB or RGBW LED lightings for home club bar etc.

SPECIFICATIONS

Input voltage: 12-24V DC

Output: DMX512 signal

Size: 3.38in x 3.38in x 1.37in



EP-DECORATIVE-PLATE

Specifier's Reference

Project

Type

Model No.

Comments or Special Instructions

Ordering Information

PRODUCT

EP-DMX-RGB-2811

EP-DECORATIVE-PLATE

