

# EP-DMX-W-2201 CONTROLLER



EP-DMX-W-2201

## Product Introduction:

EP-DMX-W-2201 DMX512 Master touch panel (For Full white color) is DMX signal output to connect DMX decoders. It is of high sensitive glass touch panel, and any finishing color could be customized. This DMX512 Master touch panel suit for full white color LED lightings for home club bar office public places etc.

## Performance Parameter

Input voltage:	12V
Output:	DMX512 signal
Size:	86mm x 86mm x 35mm

## Operations

	Running		Speed Up		Speed Down		Brightness
	Touching wheels		Switch off and on				

**1 2 3 4 5 6** Save color and Color Switch over, 6 colors in original storage, when saving the 1st – 6th color it will cover the original Color by sequence of the following listed. Save: First, Touch a color, then press a Target Number for 3 seconds, lights flashing means successfully saved, Long press to default settings as following colors.

<b>1</b>	100% Warm white	<b>2</b>	50% warm white +50% cool white
<b>3</b>	100% Natural white	<b>4</b>	50%Natural white +50% cool white
<b>5</b>	100% Cool white50%	<b>6</b>	Cool white +50% warm white

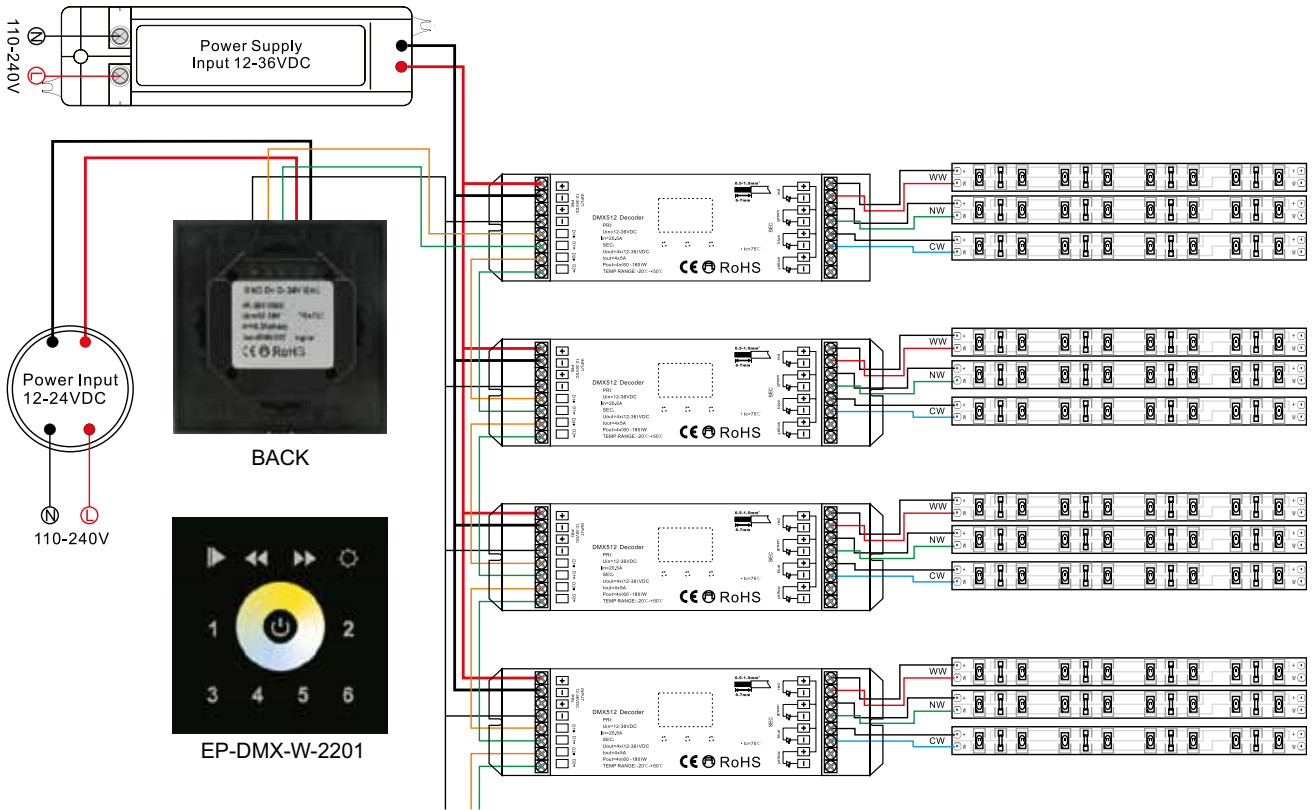
Set address: when it works with SR-2102B , we could set addresses as there are display board and buttons. Here 2201 works as a DMX master, it has 40 addresses in total. Every 4 is a repeat as 2102B is 4 Channel DMX decoder, so there are actually 4 different address, it means WW CW NW and the extra one. For example: The first decoder 001 mean 1234 four addresses. 002 one means 5678.....

It will circular flow by every 4 addresses. So if we want all the decoders work synchronously, the 1st receiver could be addressed as 001, the 2nd addressed 005...009...013... until to 037. Every 4 by one.

If you need to connect more than 10 DMX decoders, you may set the same addresses.



# Wiring Diagram



# Installation

